

A step-by-step production and assembly guide for

Tractor Adaptive Costume

Designed for
Adi Negev

Designed by
INBAR SANIR





PRODUCT DEFINITIONS

WHO?

This costume design and assembly approach was created to enable and empower wheelchair users of all sizes and ages to enjoy dressing up without feeling left out or limited! In fact, we believe that wheelchair users have an advantage - an amazing base for an awesome structure! So this guide is how to make a wheelchair part of a costume :)

WHY?

Although there are some adaptive clothing costumes on the market for individuals with disabilities, there remains a lack of options including assistive equipment and technologies such as wheelchairs, walkers and strollers in the design. This lack of inclusion often leaves users feeling segregated from peers.

HOW?

This costume is more a guiding template than a single-directed-use design. It includes multiple components intended to be independently attached to the user's wheelchair and uses basic square materials such as cardboard and zip ties to enable size and aesthetic personalization while remaining affordable.

WHAT?

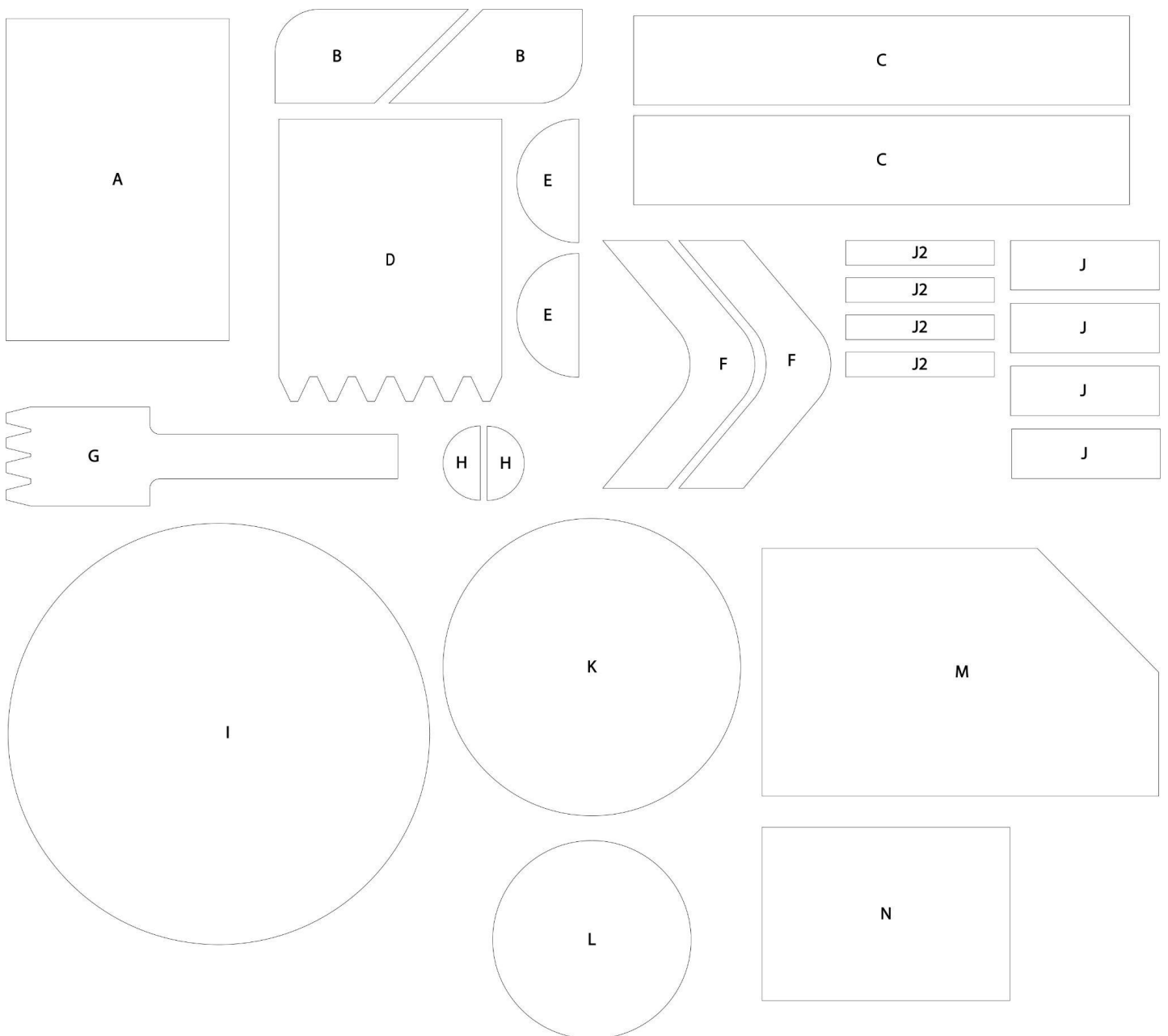
This is an adaptive, customizable costume for use with assistive equipment. It was originally designed as a tractor, it can also be used as a base template for any vehicle-including costume!

Please share with us any new designs you come up with!



EXPLODED PRODUCT VIEW

Labels matching parts in BOM:





PRICING + SPECIFICATIONS

ESTIMATED COST

Materials:

If buying new cardboard

25 USD

or

If using recycled cardboard

5 USD

Laser Cutter Machine Time

0.5 HOURS

or

Manual Trace & Cut Time

1 HOUR

Assembly Time

1.5 HOURS

DIMENSIONS

Height

150 CM

Width

80 CM

Length

185 CM



Tractor Adaptive Costume

PRODUCT VIEWS / page 1



PRODUCT VIEWS / page 2





BEFORE YOU START



Carefully read the entire product file to ensure that you have all the required tools, materials and correct printer settings **BEFORE** you start making the product.



Always wear protective gear when working with power tools.



Send us feedback if you are having difficulty building this product - hello@tomglobal.org



Have fun and give yourself a pat on the back for making the world a better place!

TOOLS NEEDED

- Cardboard
- Masking tape
- Hot glue gun
- Velcro or zip ties
- Ruler
- Pencil/marker
- Scissor and/or exacto knife
- Screw driver
- Child safe paint
- Pain brushes/rollers



SAFETY! **Always** wear protective gear when working with power tools.





Tractor Adaptive Costume

Bill Of Materials / page 1

Item	Item Description	Material	Manufacturing Technology	Dimensions	QTY	Supplier
A	Roof top	Cardboard	Laser cut or by hand	45cm*65cm	1	Maker - Full DXF
B	Roof side	Cardboard	Laser cut or by hand	19cm*39cm	2	Maker - Full DXF
C	Pole	Cardboard	Laser cut or by hand	18cm*100cm	2	Maker - Full DXF
D	Front shovel base	Cardboard	Laser cut or by hand	46.5cm*50cm	1	Maker - Full DXF
E	Front shovel side	Cardboard	Laser cut or by hand	25cm*12.5cm	2	Maker - Full DXF
F	Loader arm	Cardboard	Laser cut or by hand	50cm*31cm	2	Maker - Full DXF
G	Back shovel base	Cardboard	Laser cut or by hand	20cm*60cm	1	Maker - Full DXF
H	Back shovel side	Cardboard	Laser cut or by hand	15cm*7.5cm	2	Maker - Full DXF
I	Large wheel	Cardboard	Laser cut or by hand	75cm diameter	2	Maker - Full DXF
J	Wheel connector piece 1	Cardboard	Laser cut or by hand	30cm*10cm	4	Maker - Full DXF
J2	Wheel connector piece 2	Cardboard	Laser cut or by hand	30cm*2.5cm	4	Maker - Full DXF
K	Medium wheel	Cardboard	Laser cut or by hand	50cm diameter	2	Maker - Full DXF
L	Small wheel	Cardboard	Laser cut or by hand	30cm diameter	2	Maker - Full DXF



Bill Of Materials / page 2

Item	Item Description	Material	Manufacturing Technology	Dimensions	QTY	Supplier
M	Side door	Cardboard	Laser cut or by hand	80cm*50cm	2	Maker - Full DXF
N	Front door	Cardboard	Laser cut or by hand	50cm*35cm	1	Maker - Full DXF
O	Non-toxic paint			*optional*		Link - Non-toxic paint
P	Zip ties					Link - Zip ties
Q	Hot glue sticks					Link - Hot glue sticks

Bill Of Materials - Files

Files:

- [Tractor Costume Parts Exploded View Labelled True Scale DXF](#)
- [Tractor Parts Exploded View Labelled A4 Document](#)

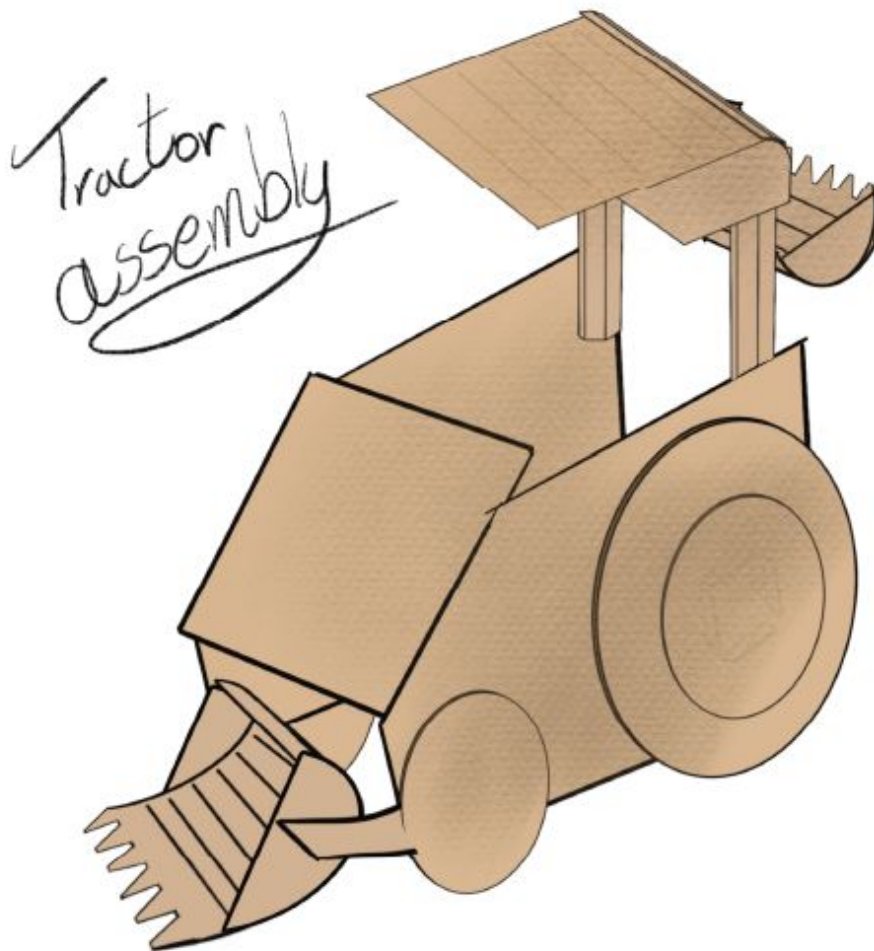
And you are welcome to watch the:

[Tractor Assembly Guide Video](#) !



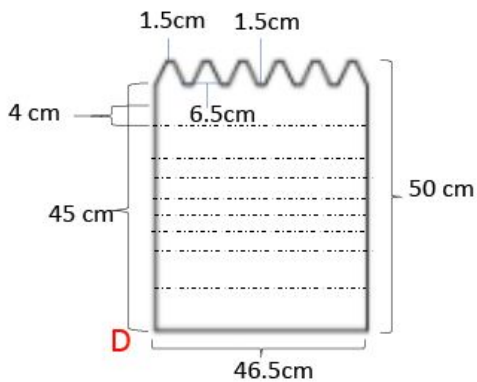
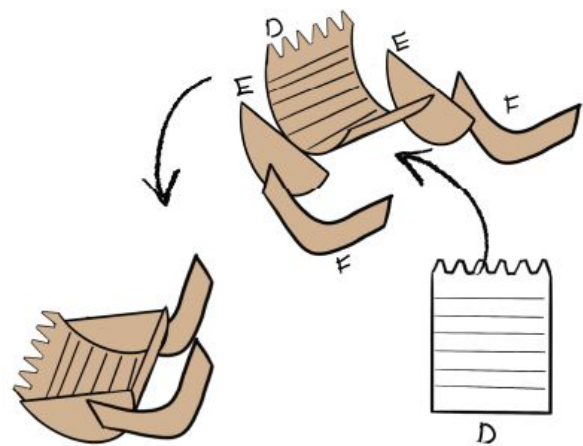
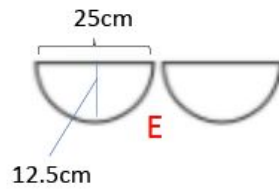
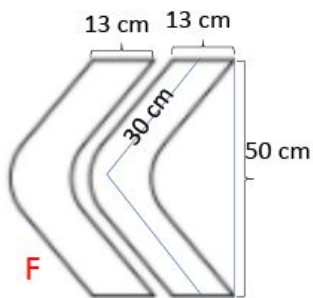
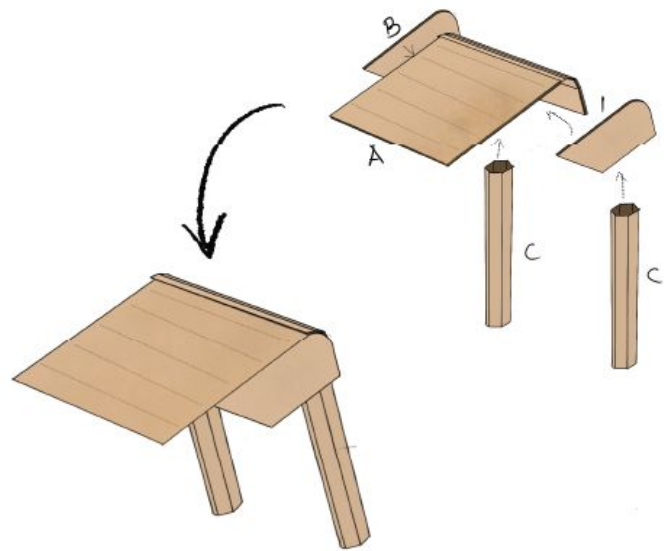
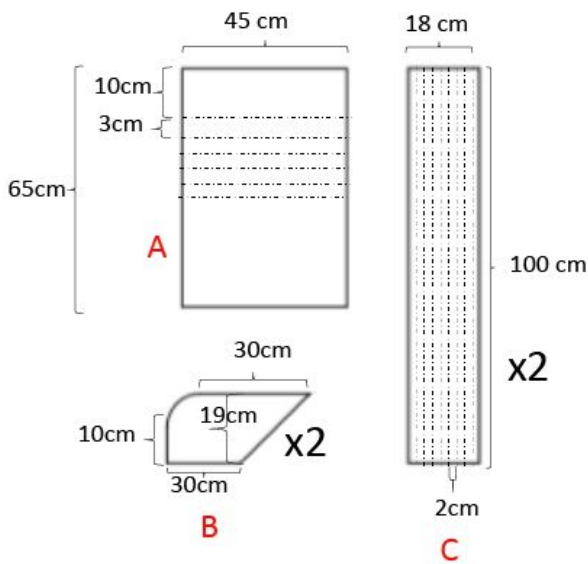


ASSEMBLY GUIDE

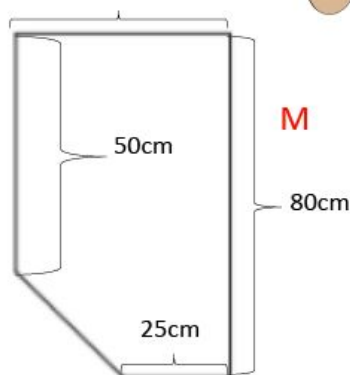
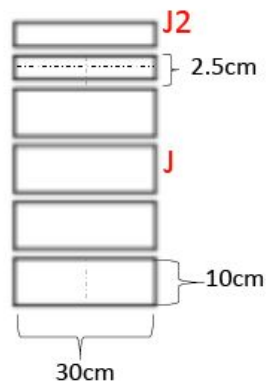
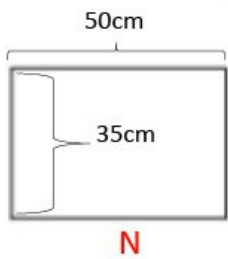
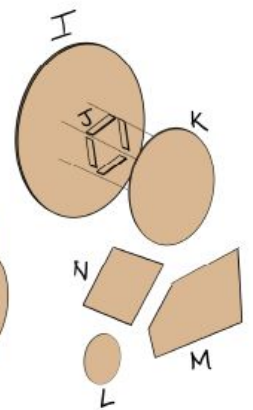
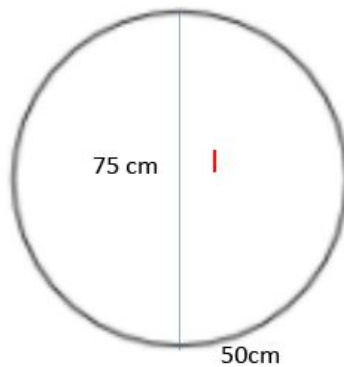
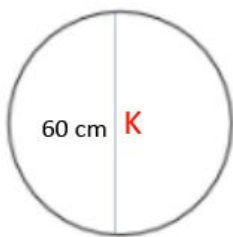
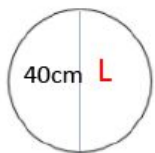
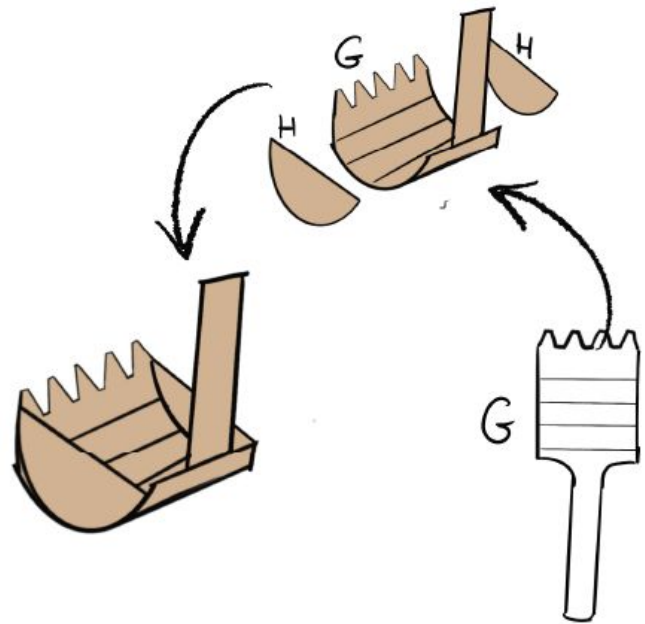
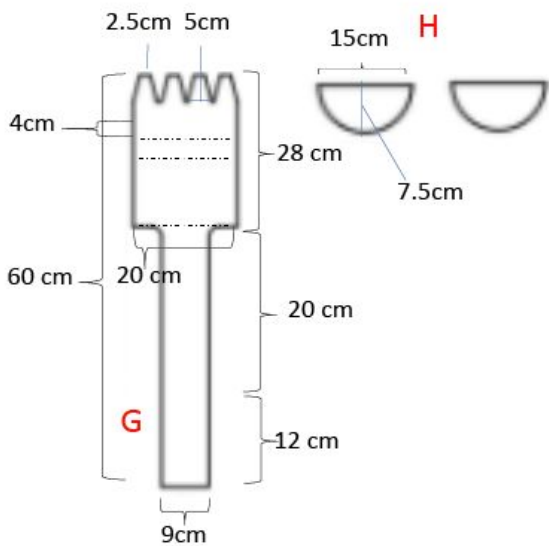


Click to watch the [Tractor Assembly Guide Video!](#)

ASSEMBLY GUIDE / page 1



ASSEMBLY GUIDE / page 2





Tractor Adaptive Costume



THANK YOU FOR MAKING WITH US TRACTOR ADAPTIVE COSTUME!

Feel free to send us your feedback
to us at hello@tomglobal.org